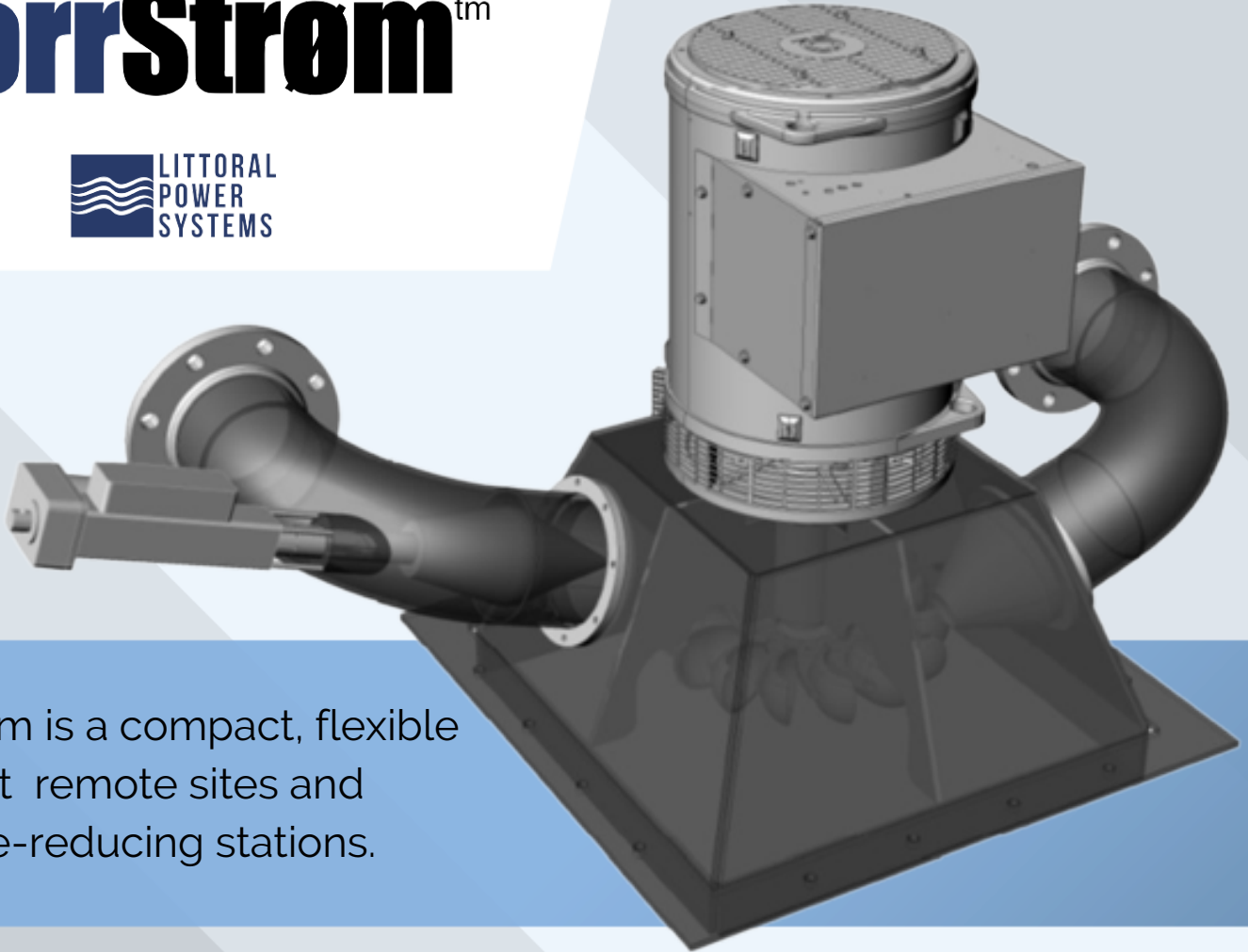




TorrStrøm™



Torrstrøm is a compact, flexible power at remote sites and pressure-reducing stations.



Optimized spear valve
scalable fabricated
runner and advanced
controls support an
efficient, flexible, and
compact impulse turbine.



Diverter Wing

The diverter wing not only prevents overspeed but also enables the machine to allow water to safely flow through the machine when not generating.

HydroSmart Intelligent Controls

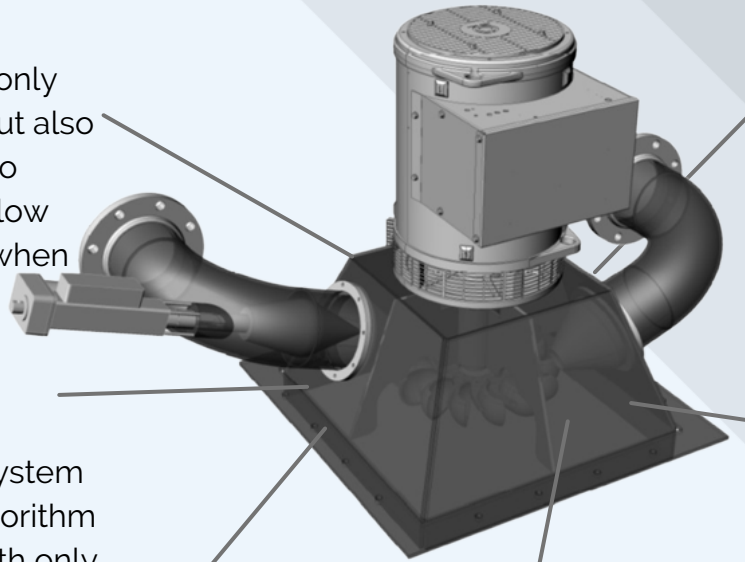
The advanced control system uses an optimization algorithm to control the turbine with only local devices and a simple control network. This significantly lowers installation and operation cost.

Optimized Spear Valve

The optimized spear valve improves efficiency and flexibility by decreasing pressure loss and improving performance where the nozzle meets the runner.

Fabricated Scalable Runner

The runner delivers reliable performance at a range of flood and head conditions.



The Torrstrøm comes in three standard frame sizes: Models G, N, and H. The largest system is sized for 500 KW. The runner is sized based on site specific flow and head and assembled within the right sized frame.

Design Flow	0-5 CFS	5-15 CFS	15-40 CFS
Model Type	G	N	H